

DS-2CC11A3P(N)-A(-C) (Released)



Key Features

- Compact design
- SONY EXView HAD CCD II
- Flickerless mode
- 3D-Digital Noise Reduction (3D-DNR)
- Digital Wide Dynamic Range
- Smart IR mode
- Eclipse
- Electronic image stabilization (EIS)
- IR cut filter with auto switch
- OSD menu
- Auto iris with DC/video drive
- Auto white balance, auto gain control, electronic shutter control and backlight compensation
- Internal or Power Synchronization
- Convenient back focus adjustment

Specification

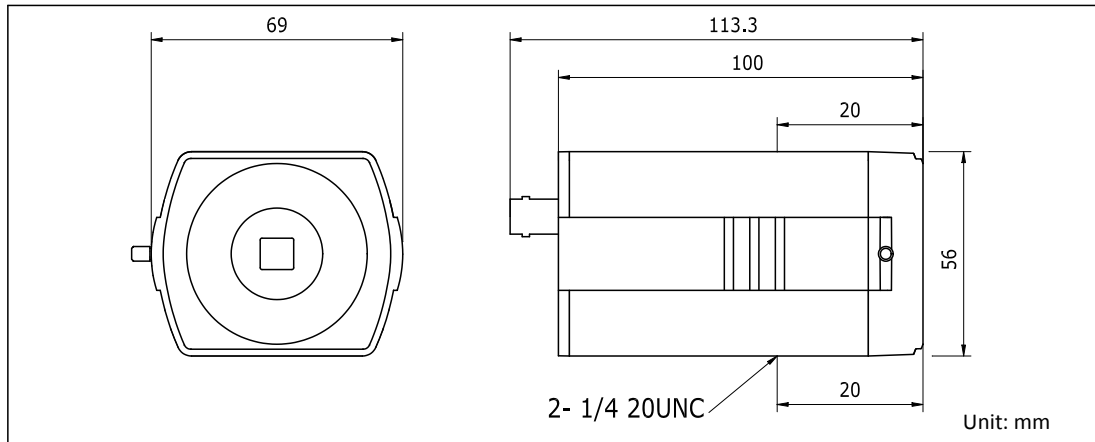
Model	DS-2CC11A3P(N)-A(-C)
Parameter	700 TVL CCD ICR Box Camera
Camera	
Image Sensor	1/3" SONY EXView HAD CCD II
Signal System	PAL/NTSC
Effective Pixels	PAL: 976 (H) × 582 (V) NTSC: 976 (H) × 494 (V)
Min. Illumination	Color: 0.01 Lux @ (F1.2, AGC ON), 0.0001 Lux @ (F1.2, AGC ON, sensitivity × 512) B/W: 0.001 Lux @ (F1.2, AGC ON), 0.00001 Lux @ (F1.2, AGC ON, sensitivity × 512)
Shutter Time	PAL: 1/50 s to 1/100,000 s

	NTSC: 1/60 s to 1/100,000 s
Lens Mount	C/CS mount
Auto Iris	DC/Video drive
Day & Night	IR cut filter with auto switch
Horizontal Resolution	700 TVL
Synchronization	Internal/Power synchronization
Video Output	1Vp-p composite output (75 Ω/BNC)
S/N Ratio	More than 62 dB
Menu	
Camera ID	On/Off (16 letters, position adjustable)
Auto Gain	Low/Middle/High/Off
D/N Mode	Auto1/Auto2/Day/Night
White Balance	Auto trace WB1/Auto trace WB2/Manual/Auto Control
Private Mask	On/Off, maximum 12 zones
Motion Detection	Mode 1/Mode 2/Off
BLC	Area/Value/Off
RS-485	Address/Protocol/Baud Rate
Anti-Flicker	On/Off
Language	English/Chinese
Function	SMART IR, Digital Wide Dynamic Range, Eclipse, Digital Noise Reduction, Sharpness, Brightness, Saturation, Resolution, Electronic image stabilization, Digital Zoom, Mirror, Defect Pixel Correction
Scene	Indoor Standard , Indoor Backlight , Outdoor, Low illumination, IR Standard, Customize
General	
Operating Conditions	-10 °C - 60 °C (14 °F - 140 °F) Humidity 90% or less (non-condensing)
Power Supply	24 V AC ± 10%, 12 V DC ± 10% (-C series support 100 - 240 V AC)
Power Consumption	Max. 5 W (Max. 10 W with IR cut filter on)
Dimension	69 x 56 x 113.3 mm (2.72" × 2.20" × 4.46")
Weight	400 g (0.88 lbs)

Order Models

DS-2CC11A3P-A DS-2CC11A3N-A
DS-2CC11A3P-C DS-2CC11A3N-C

Dimension



Accessories



Indoor wall mount
DS-1212ZJ



Indoor/outdoor wall mount
DS-1213ZJ



Indoor/outdoor camera housing
DS-1311HZ (DS-1312HZ, DS-1313HZ)



Indoor camera housing
DS-1320HZ